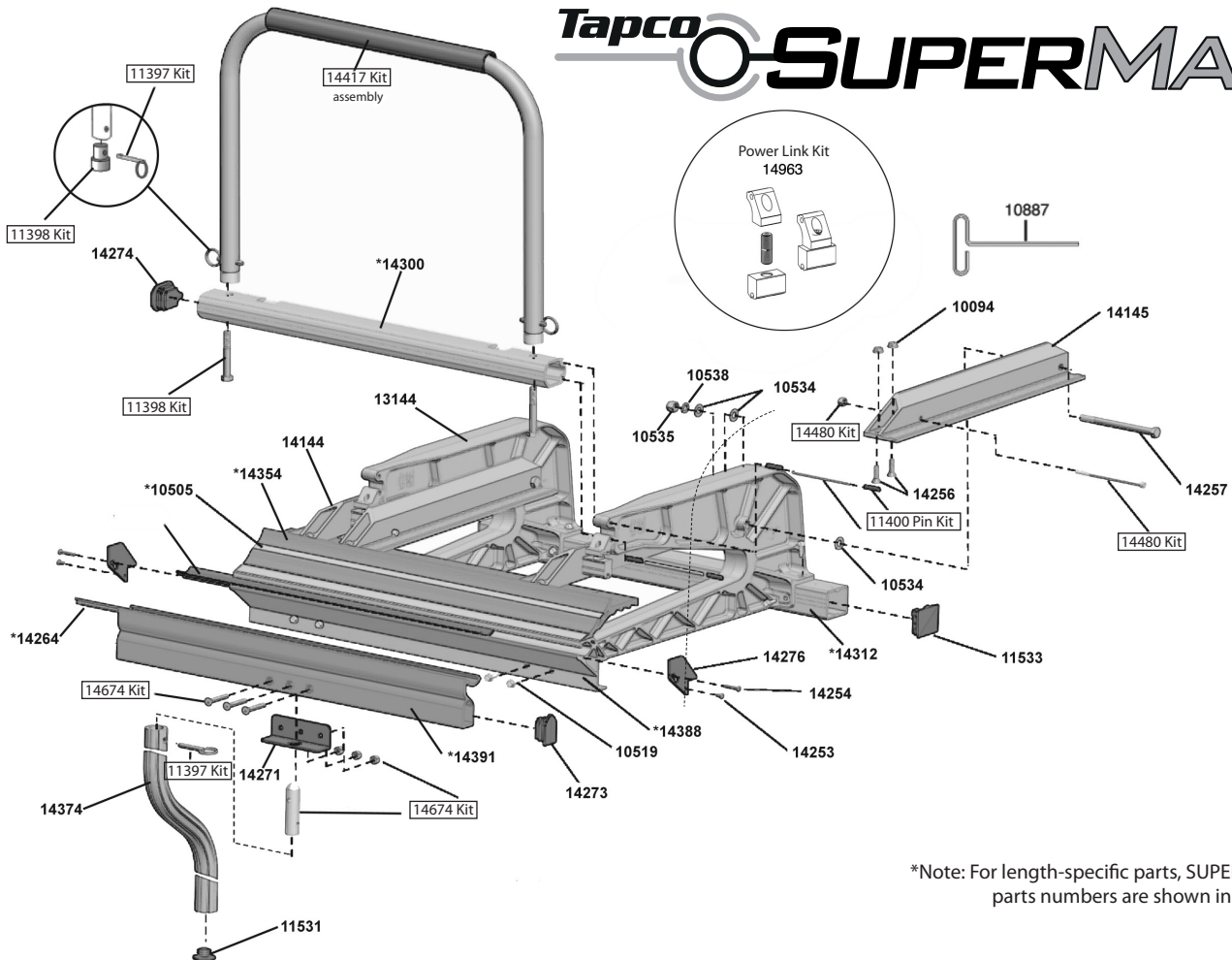


PARTS LIST

Tapco integrated SUPERMAX



*Note: For length-specific parts, SUPERMAX 10' parts numbers are shown in diagram.

Item #	Description
10491	8'6" Stainless Edge
10492	10'6" Stainless Edge
10493	12'6" Stainless Edge
10504	12'6" Tape Measure
10505	10'6" Tape Measure
10506	8'6" Tape Measure
10519	¼ -20 x ¾" Hex Washer Head Screw
10534	3/8" Flat Washer
10535	3/8-16 Nylock Hex Nut
10538	Washer Lock 3/8
10887	T-Handle Hex Key
11397	¼" x 1¼" Faspin Kit (4)
11398	Locking Handle Plug Kit
11400	Locking bar Pin Kit
11531	Lifting Handle Cap
11533	Back Rail Cap
13144	C Casting MX/SUPERMAX
14144	Pivot Arm - Left
14145	Pivot Arm - Right
14253	8-32 x 5/16" Phillips Pan Head Screw

Item #	Description
14254	8-32 x 1" Phillips Pan Head Screw
14256	¼ -20 x 1" Flat Head Screw
14257	3/8-16 x 5" Hex Cap Bolt 2
14263	8'6" Rubber Strip
14264	10'6" Rubber Strip
14265	12'6" Rubber Strip
14841	Wear Strip 99" MX/SUPERMAX 2 pcs.
14842	Wear Strip 123" MX/SUPERMAX 2 pcs.
14843	Wear Strip 147" MX/SUPERMAX 2 pcs.
14271	Lifting Handle Support Bracket (2)
14273	Moving Hinge Cap
14274	Locking bar Cap
14276	Fixed Hinge Endcap
14299	8'6" Locking bar
14300	10'6" Locking bar
14301	12'6" Locking bar
14311	8'6" Back Rail

Item #	Description
14312	10'6" Back Rail
14313	12'6" Back Rail
14353	8'6" Locking Anvil
14354	10'6" Locking Anvil
14355	12'6" Locking Anvil
14374	Lifting Handle Assembly
14387	8'6" Fixed Hinge
14388	10'6" Fixed Hinge
14389	12'6" Fixed Hinge
14390	8'6" Moving Hinge
14391	10'6" Moving Hinge
14392	12'6" Moving Hinge
14417	MX/SUPERMAX Hemming Handle Assembly
14456	MX/SUPERMAX Brake Parts Bag 8'
14457	MX/SUPERMAX Brake Parts Bag
14480	Bolt and Nut Kit
14674	Lifting Handle Plug Kit (2)
14963	Power Link Kit 6